

SPTC Seminar Series

Innovative Multi-Hazard Resistant Bridge Columns for Accelerated Bridge Construction

Jeffery S. Volz, SE, PE, PhD



SPTC Seminar Series

*Innovative **Multi-Hazard** Resistant Bridge Columns for Accelerated Bridge Construction*

Jeffery S. Volz, SE, PE, PhD



SPTC Seminar Series

Innovative Multi-Hazard Resistant Bridge Columns for Accelerated Bridge Construction

Jeffery S. Volz, SE, PE, PhD



Outline

- Evolution of Concept
 - Hollow-Core Concrete
 - Concrete-Filled Tube
 - Concrete-Filled Double-Tube
- Column Design
 - Initial Sizing Guidelines
 - Sectional Analysis
- Research Project
 - Specimen Design & Fabrication
 - Specimen Testing & Results
 - Next Steps
- Thank You & Questions?



Evolution of Concept



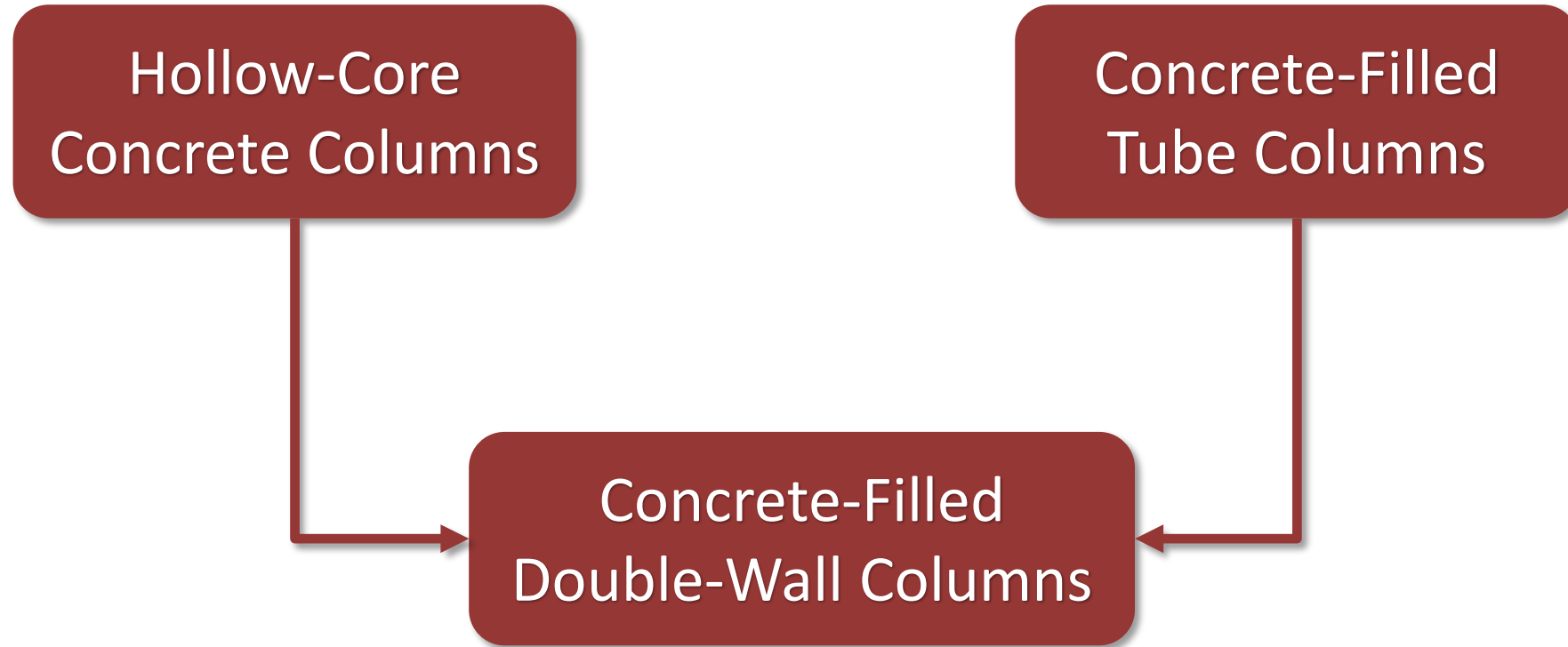
Evolution of Concept

Hollow-Core
Concrete Columns

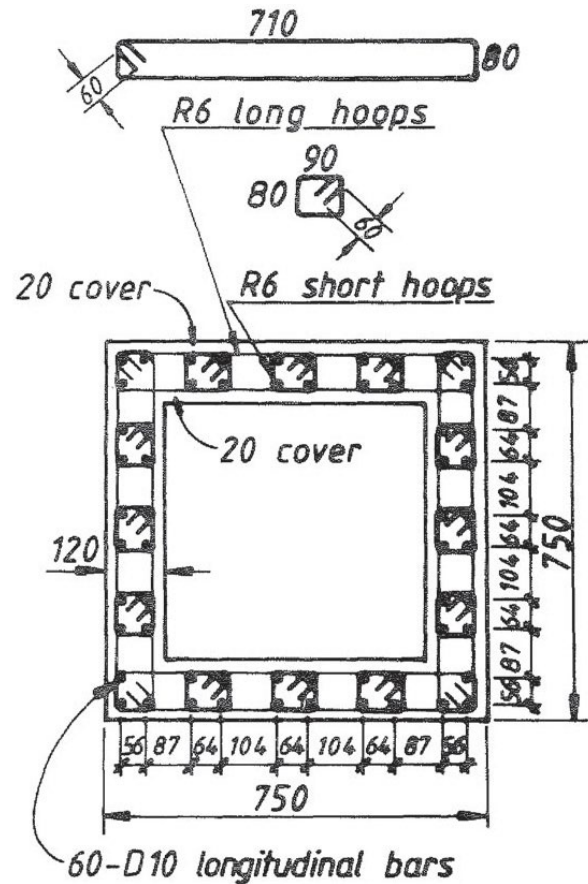
Concrete-Filled
Tube Columns



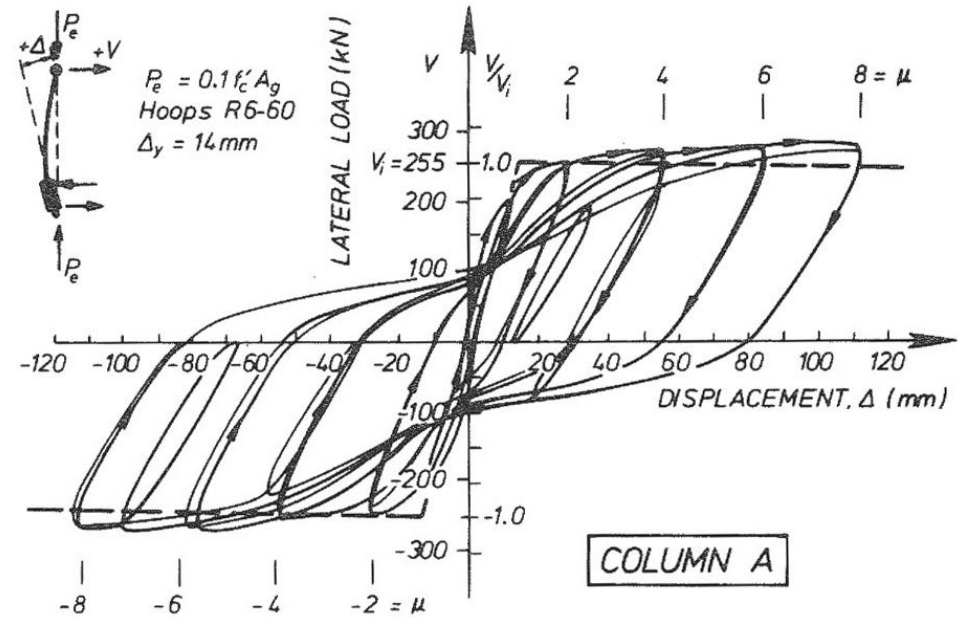
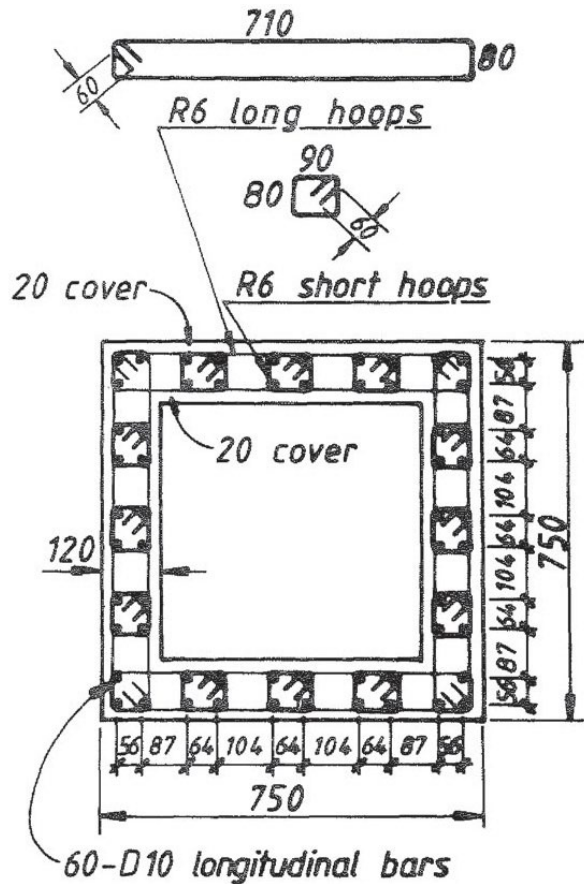
Evolution of Concept



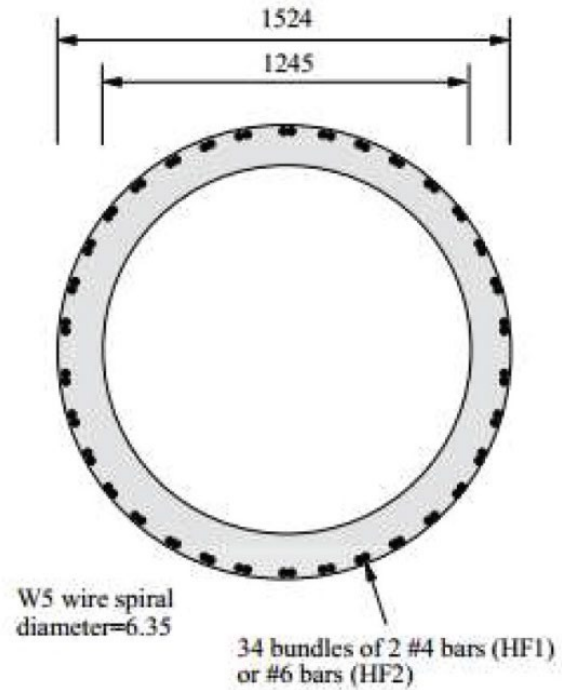
Hollow-Core Concrete Columns



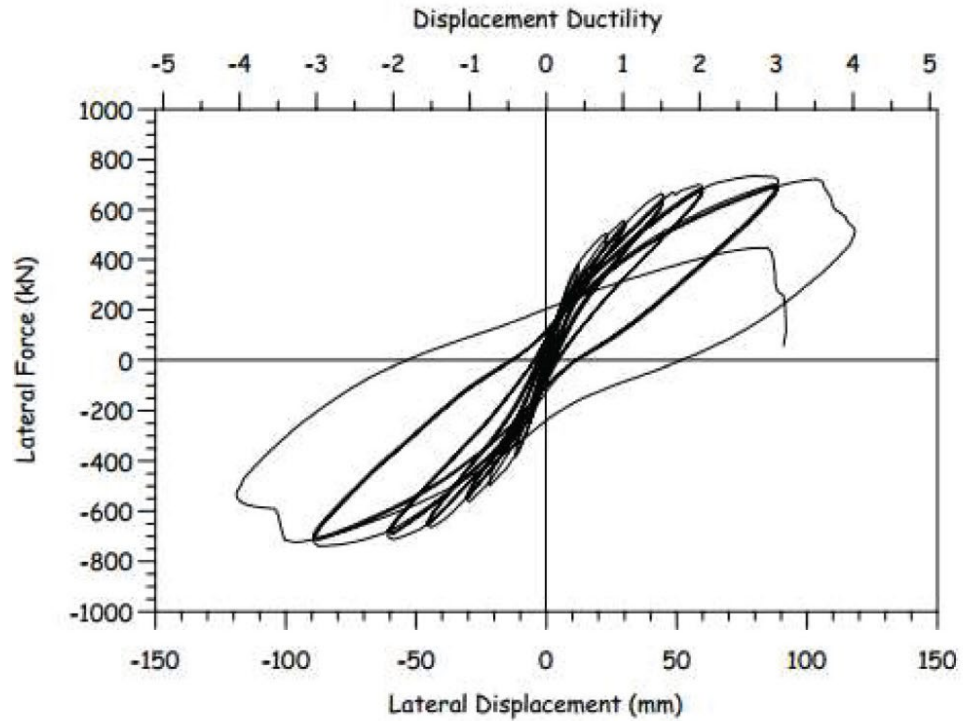
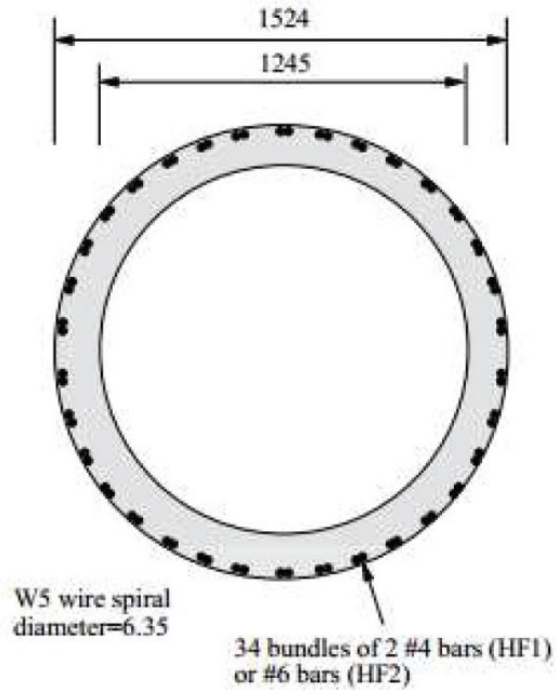
Hollow-Core Concrete Columns



Hollow-Core Concrete Columns



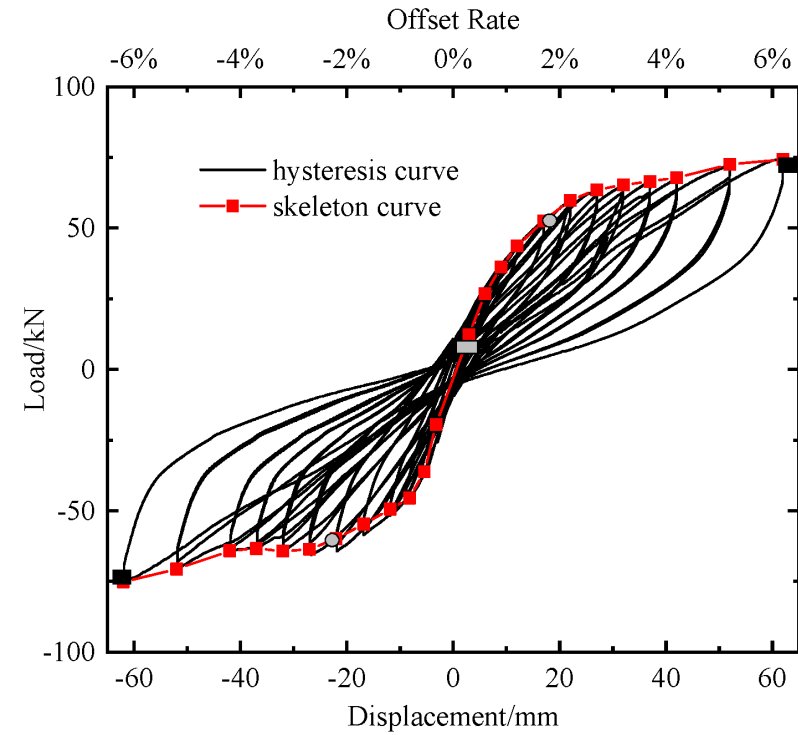
Hollow-Core Concrete Columns



Concrete-Filled Tube Columns



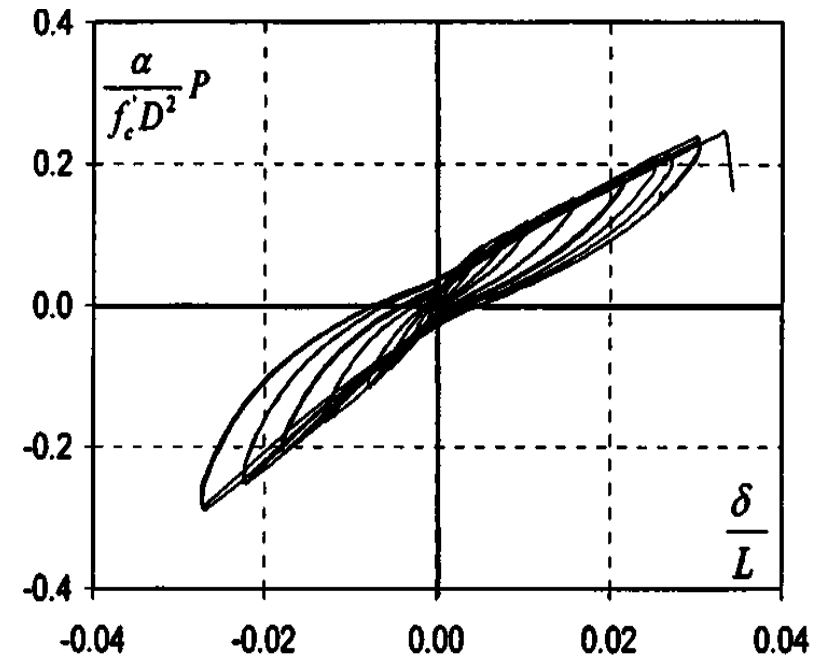
Concrete-Filled Tube Columns



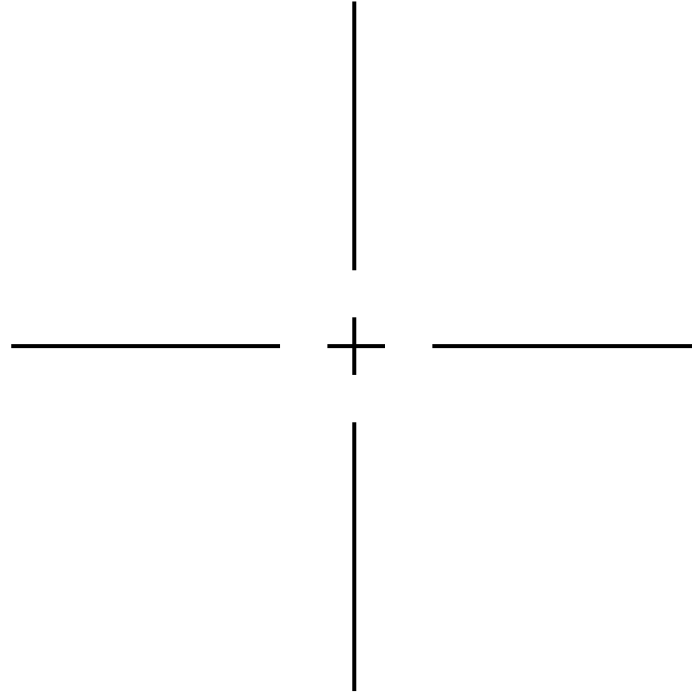
Concrete-Filled Tube Columns



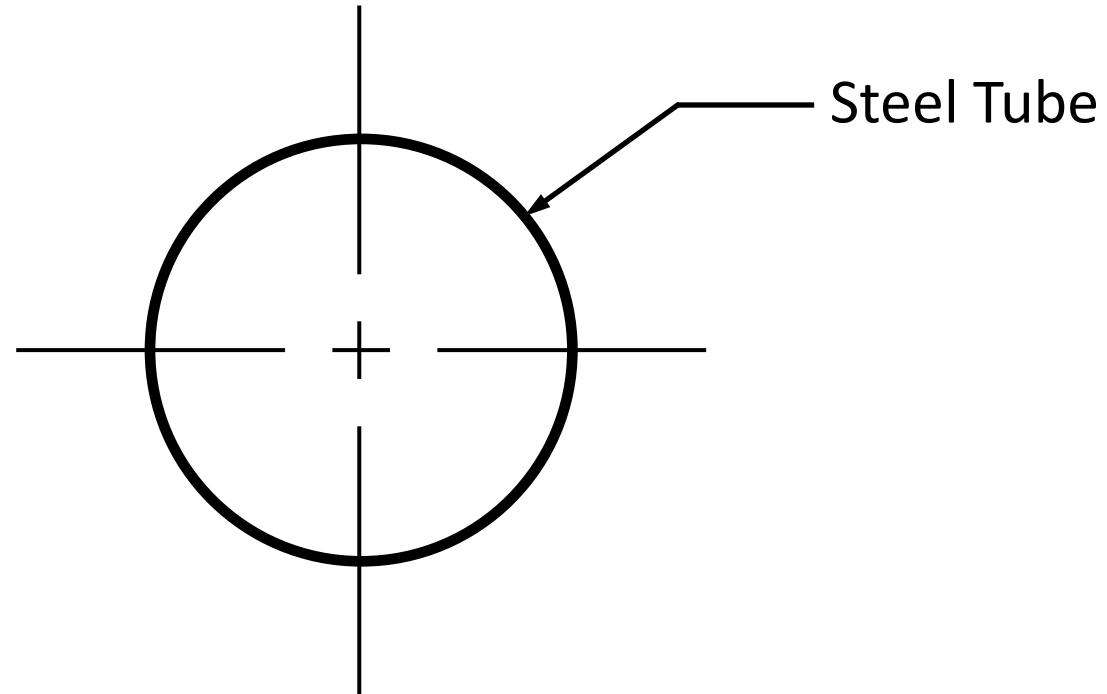
Concrete-Filled Tube Columns



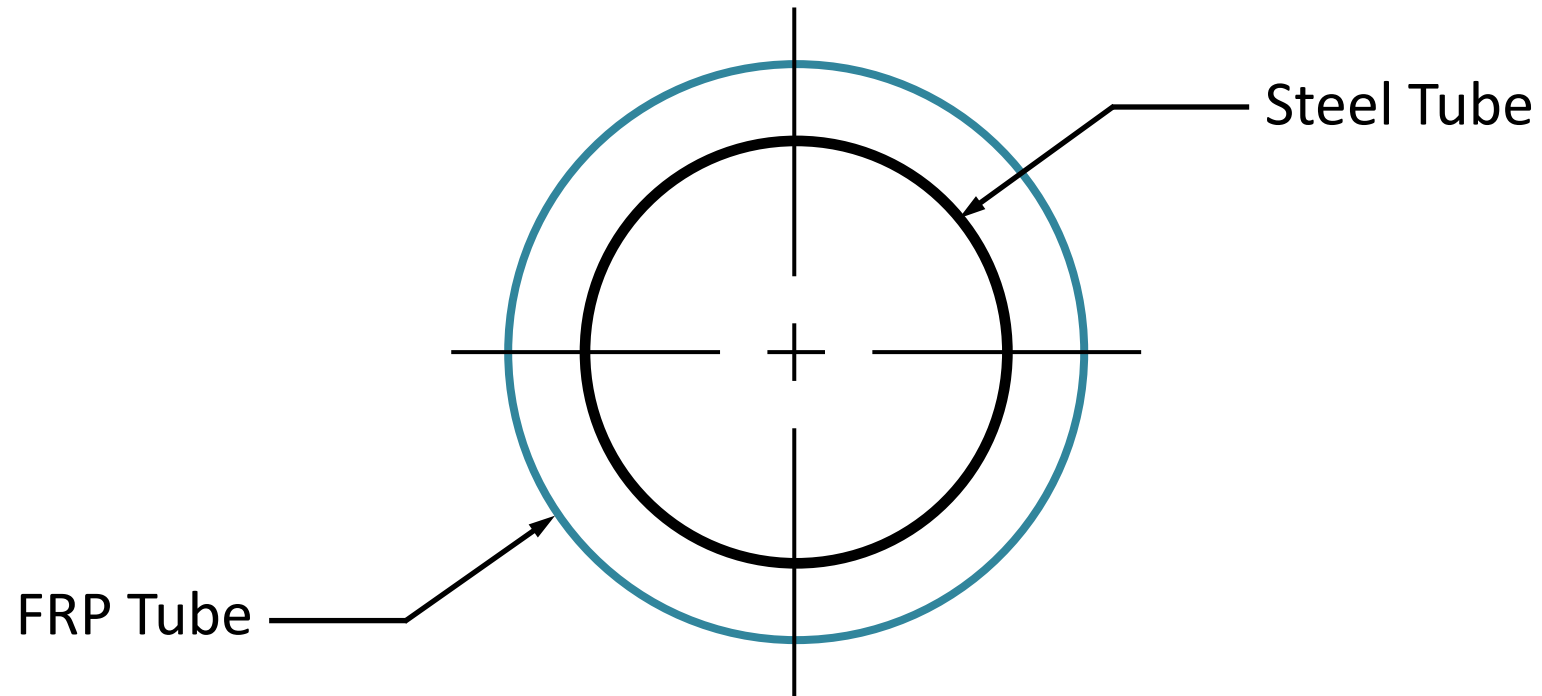
Concrete-Filled Double-Wall Columns



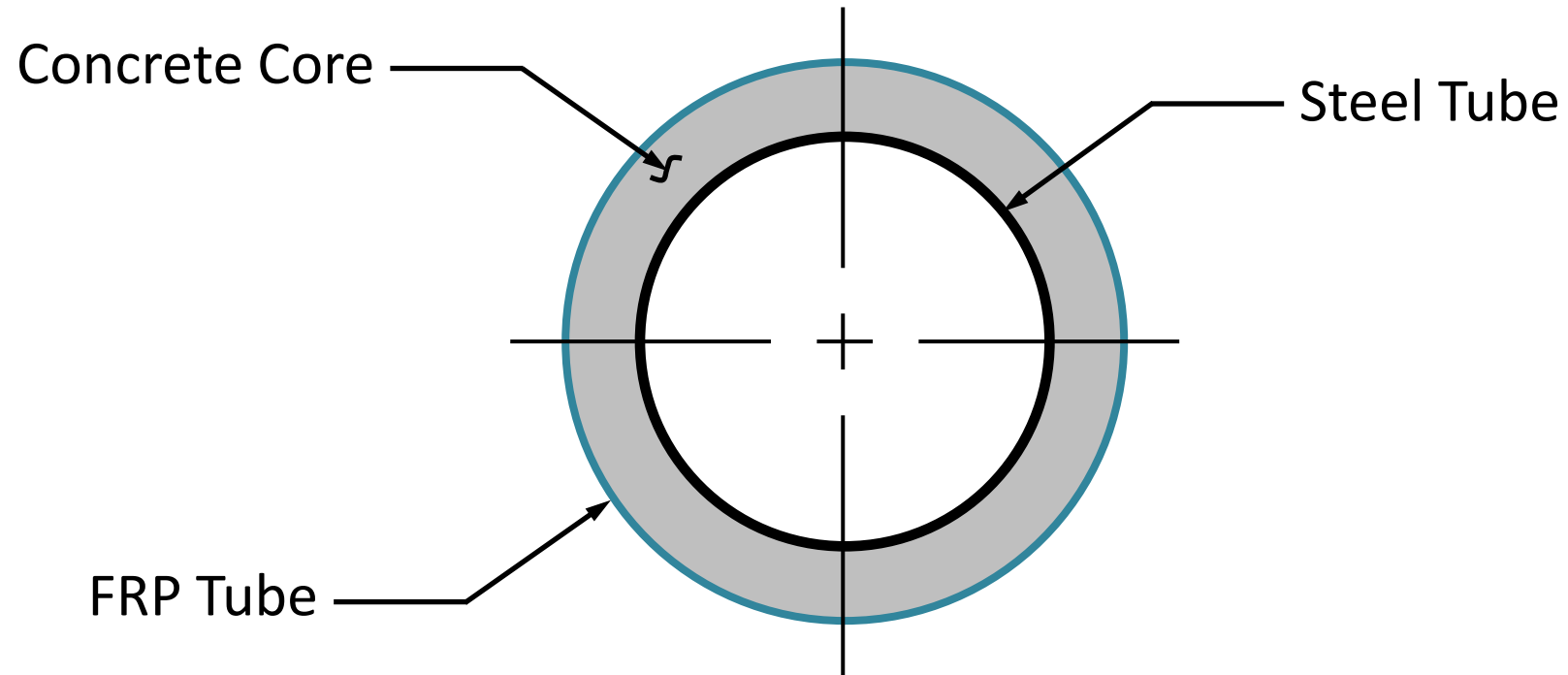
Concrete-Filled Double-Wall Columns



Concrete-Filled Double-Wall Columns



Concrete-Filled Double-Wall Columns



Concrete-Filled Double-Wall Columns



Concrete-Filled Double-Wall Columns



Concrete-Filled Double-Wall Columns



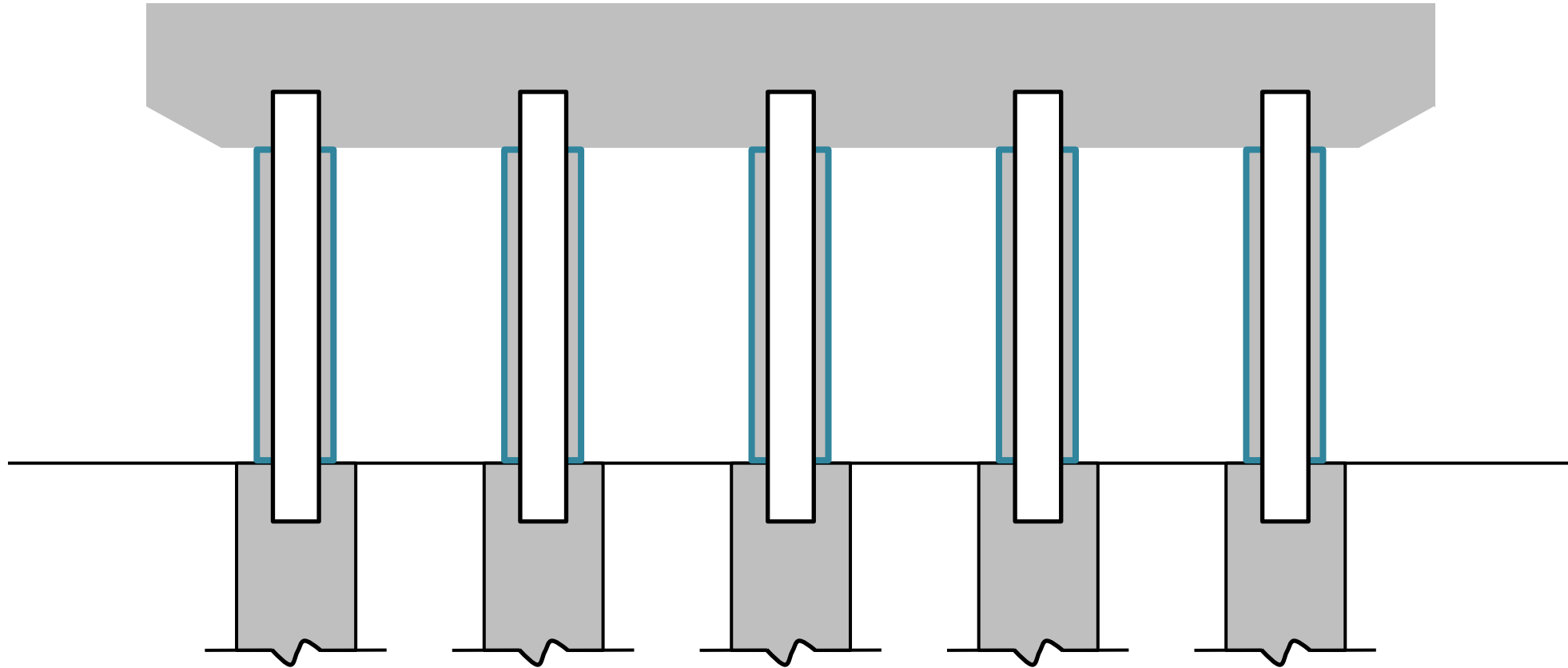
Concrete-Filled Double-Wall Columns



Concrete-Filled Double-Wall Columns

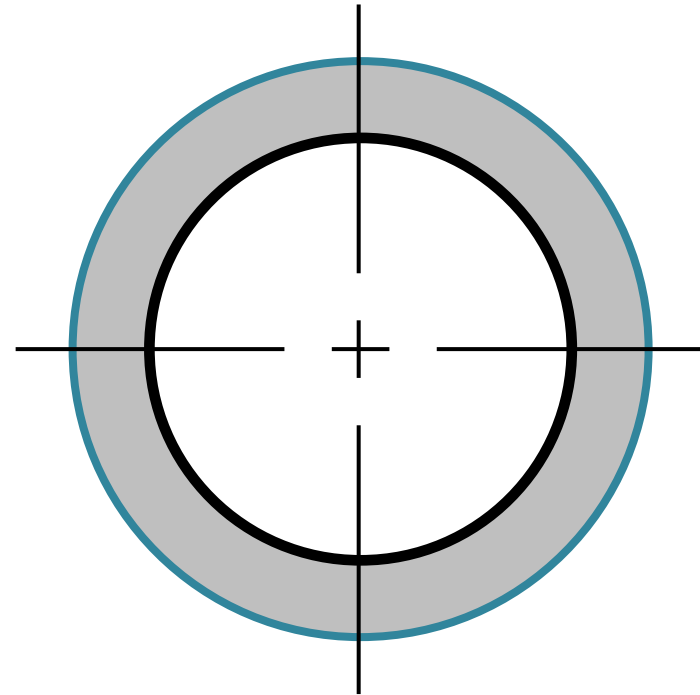


Concrete-Filled Double-Wall Columns



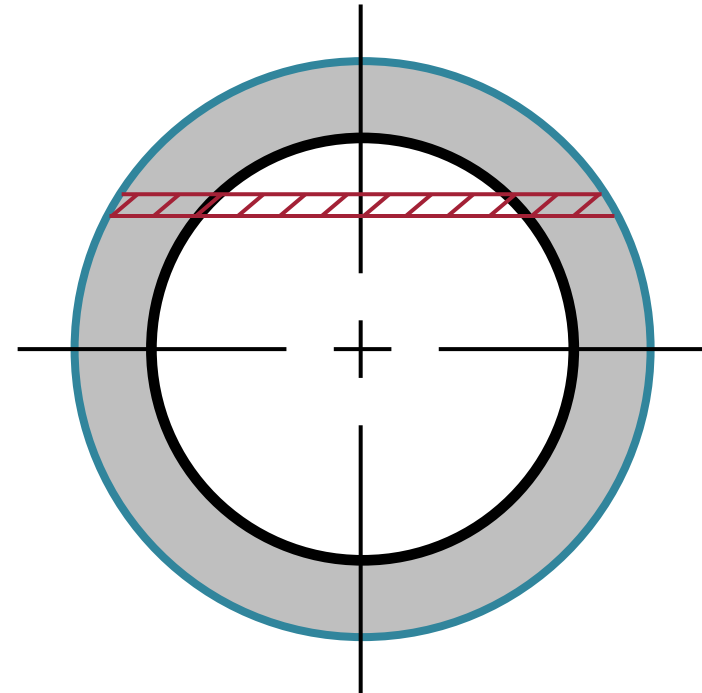
Initial Sizing Guidelines

- Select outer column diameter, D_o
- Calculate minimum concrete wall thickness, t_c
 $t_c = 0.10D_o$ to $0.15D_o$
- Calculate steel tube outer diameter, D_i
 $D_i = D_o - 2t_c$
- Calculate steel tube thickness, t_s
 $t_s = D_i/64$ to $D_i/32$
- Calculate FRP tube thickness, t_f
 $t_f = 0.035D_o (f'_c / f_t)$ (low seismic regions)
 $t_f = 0.105D_o (f'_c / f_t)$ (high seismic regions)



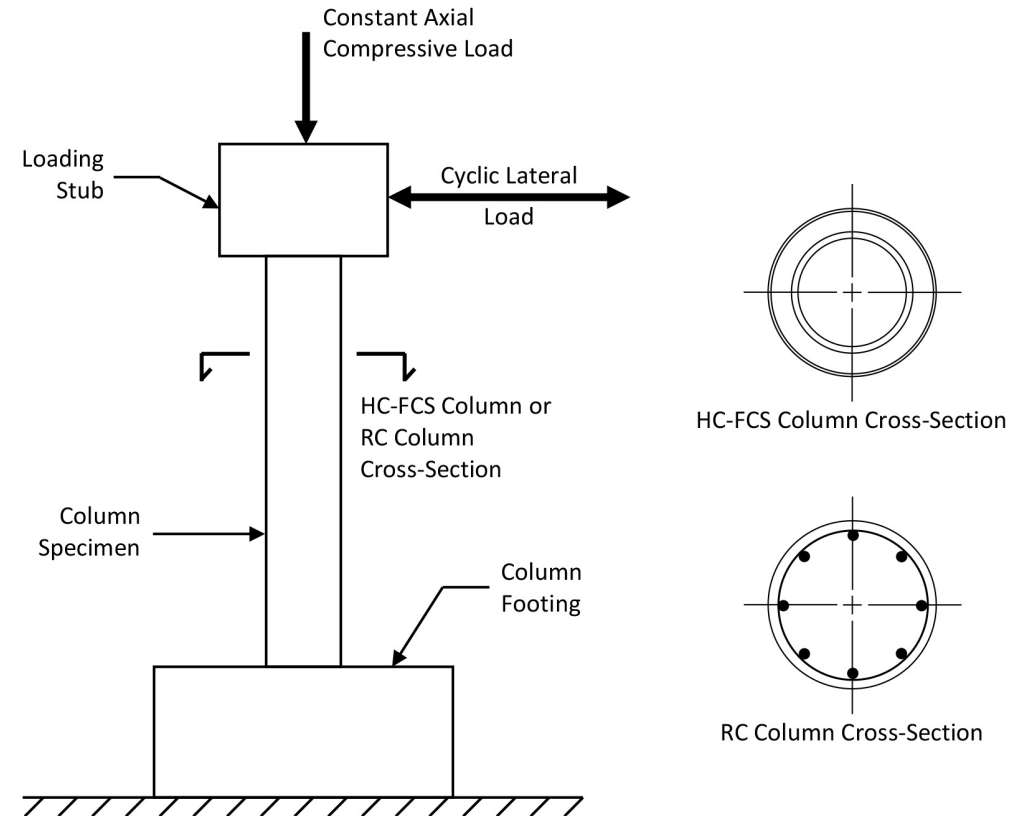
Sectional Analysis

- Discretize cross section into horizontal segments
- Perform a non-linear strain compatibility analysis
 - Assume neutral axis location
 - Calculate strains in each material in each strip
 - Calculate stress and force in each strip
 - Calculate internal moment and axial force
- Assumptions
 - Plane sections remain plane
 - Perfect bond between the steel and concrete
 - Elastic-perfectly plastic steel stress-strain behavior
 - Confined concrete stress-strain behavior
 - Ignore tensile strength of concrete
 - Ignore longitudinal capacity of FRP



Specimen Design & Fabrication

- Specimen Parameters
 - Column height = 8'-0"
 - FRP outer diameter, $D_o = 18-5/8"$
 - FRP tube wall thickness, $t_f = 3/16"$
 - Steel tube outer diameter, $D_i = 12-3/4"$
 - Steel tube wall thickness, $t_s = 1/4"$
 - Concrete wall thickness, $t_c = 2-3/4"$
- Material Parameters
 - FRP tube: GFRP, 40 ksi hoop tensile strength
 - Steel tube: API 5L X52, 52 ksi yield, 66 ksi ultimate strength
 - Concrete core: SCC, 10 ksi 28-day strength or UHPC, 20 ksi 28-day strength



Specimen Design & Fabrication



Specimen Design & Fabrication



Specimen Design & Fabrication



Specimen Design & Fabrication



Specimen Design & Fabrication



Specimen Design & Fabrication



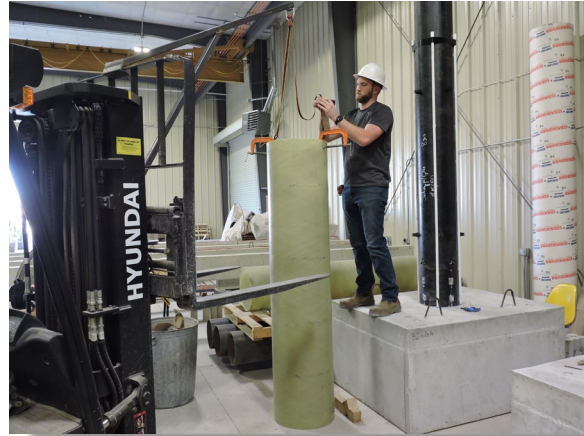
Specimen Design & Fabrication



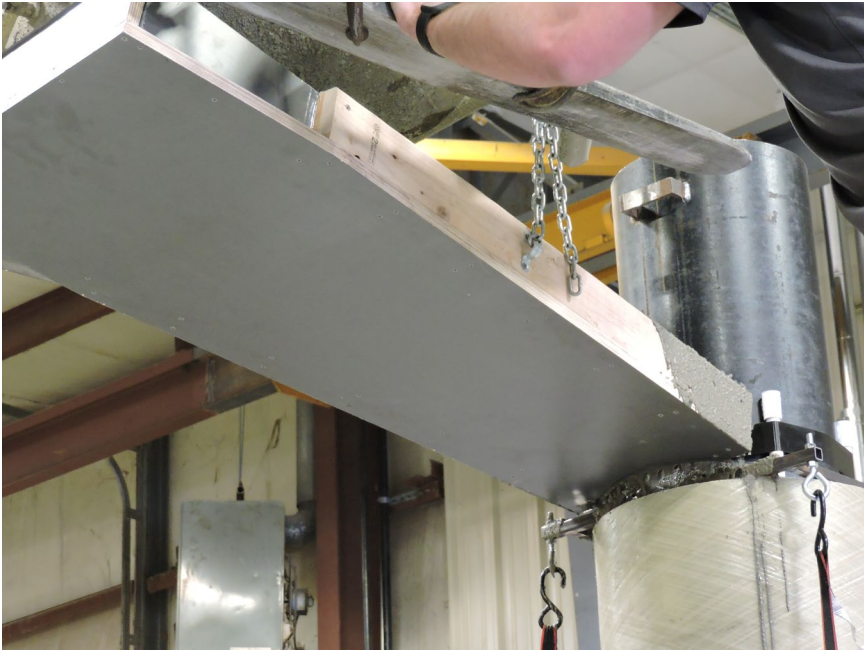
Specimen Design & Fabrication



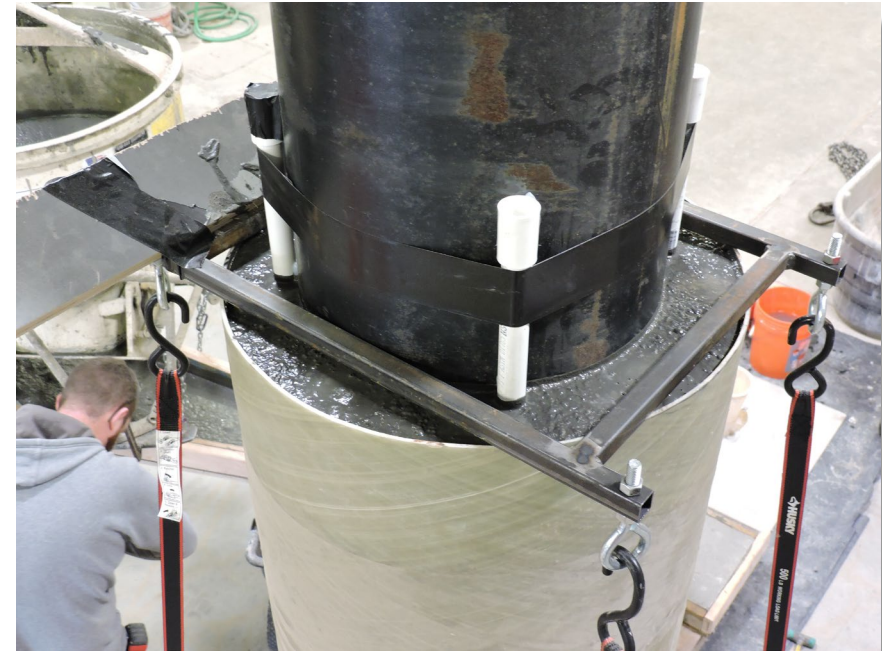
Specimen Design & Fabrication



Specimen Design & Fabrication



Specimen Design & Fabrication



Specimen Design & Fabrication



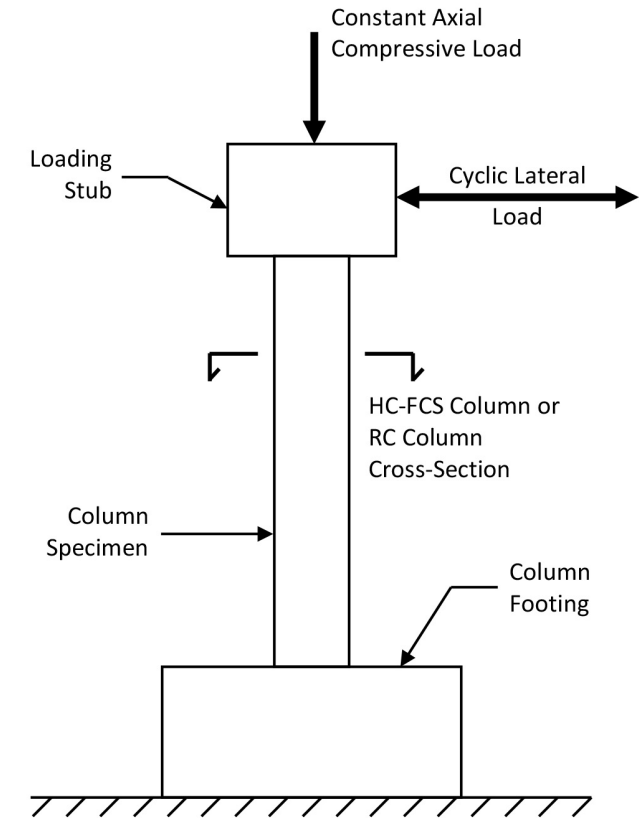
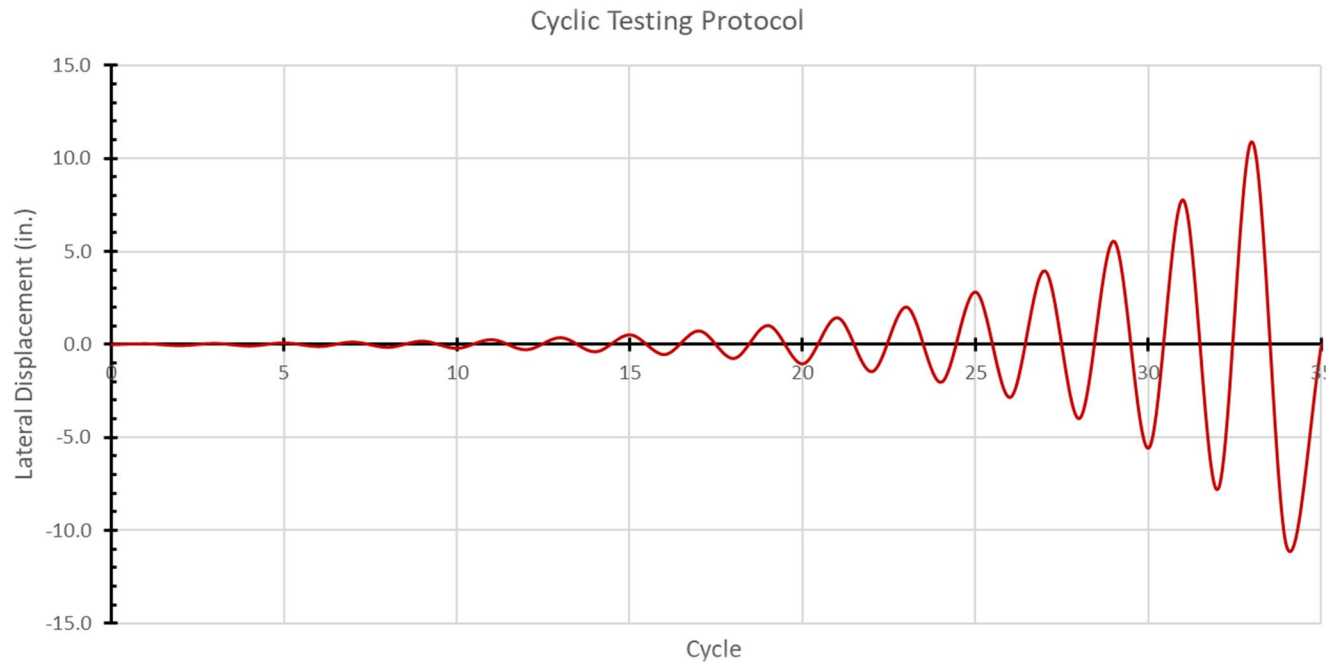
Specimen Design & Fabrication



Specimen Testing & Results

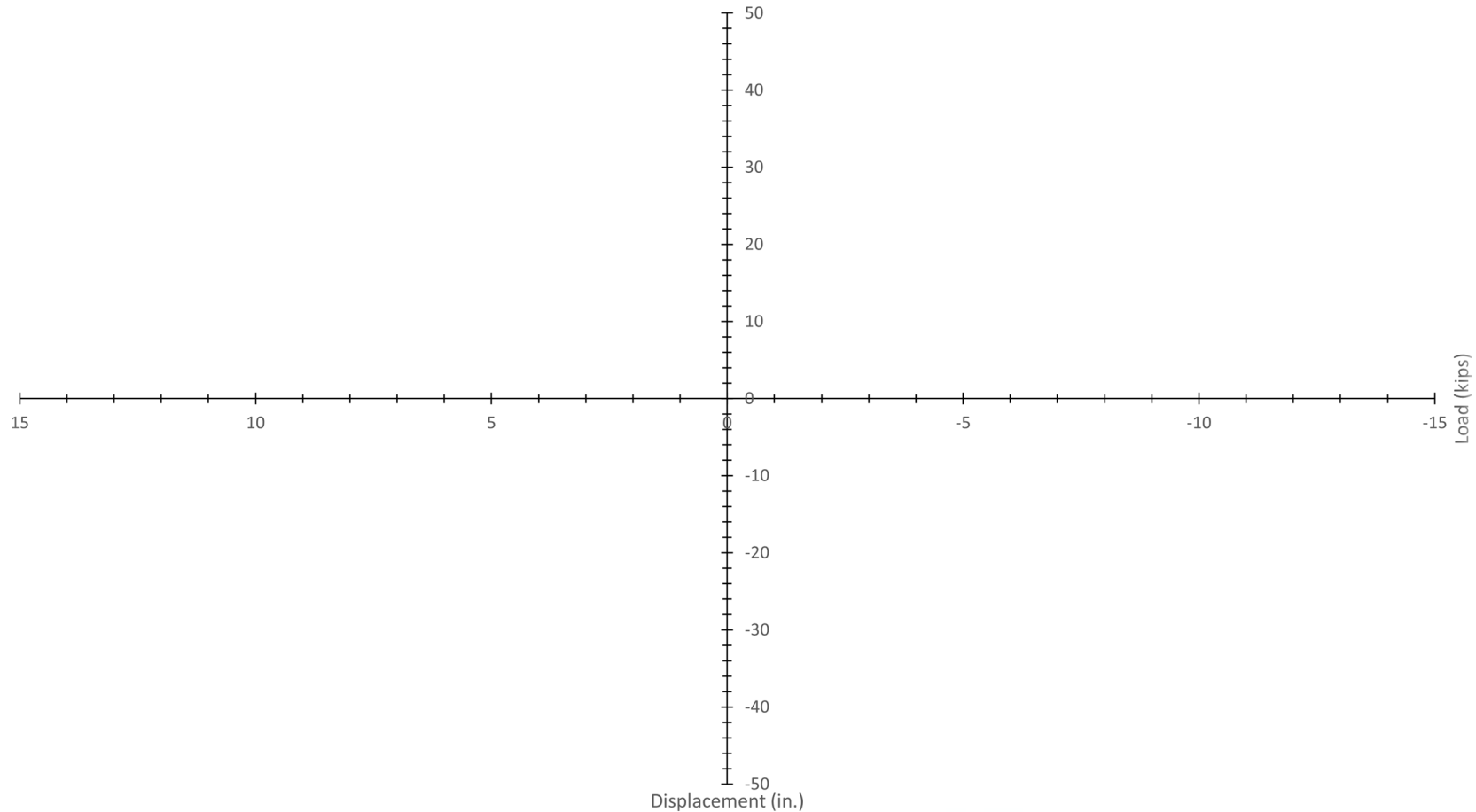


Specimen Testing & Results

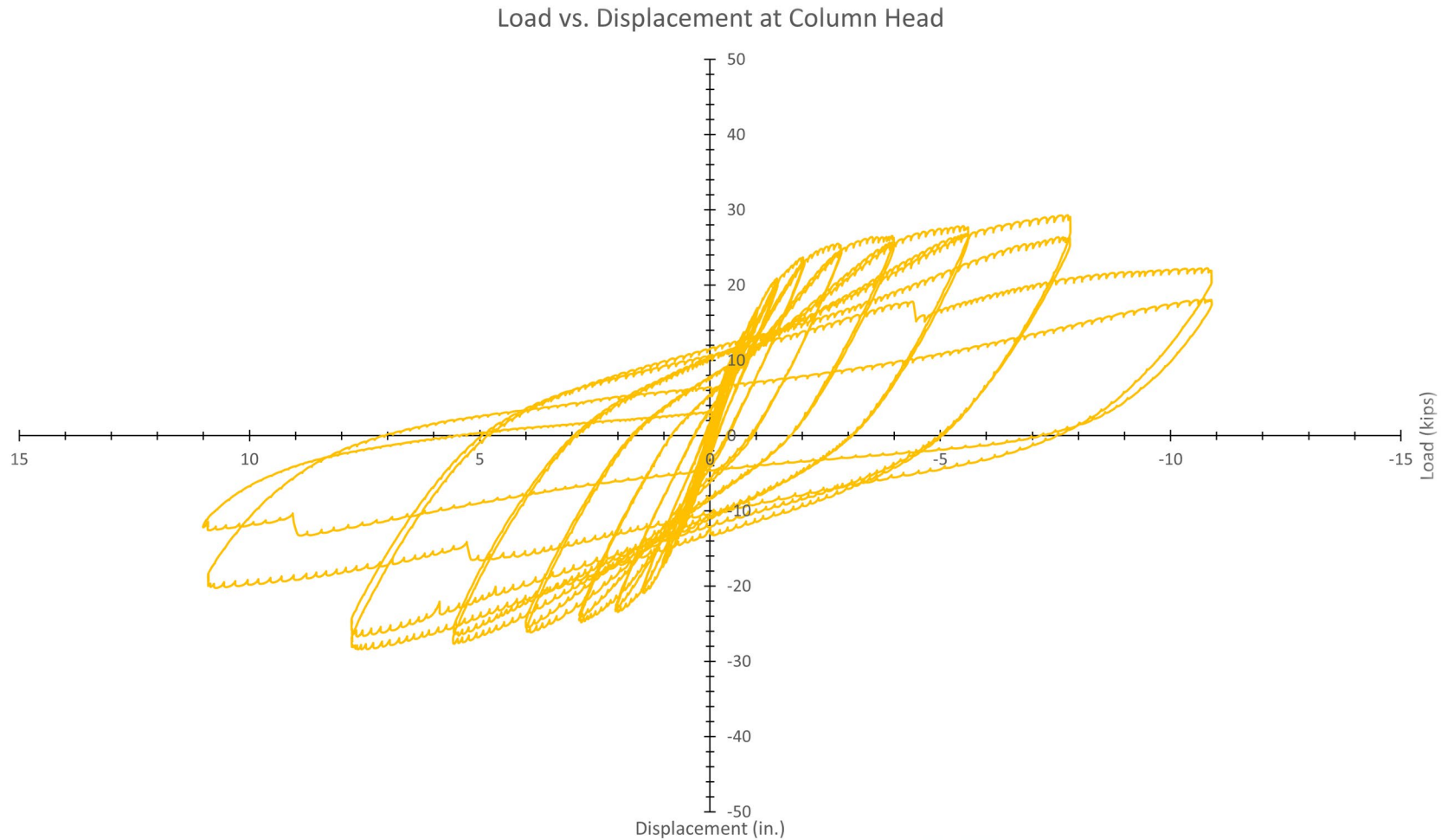


Specimen Testing & Results

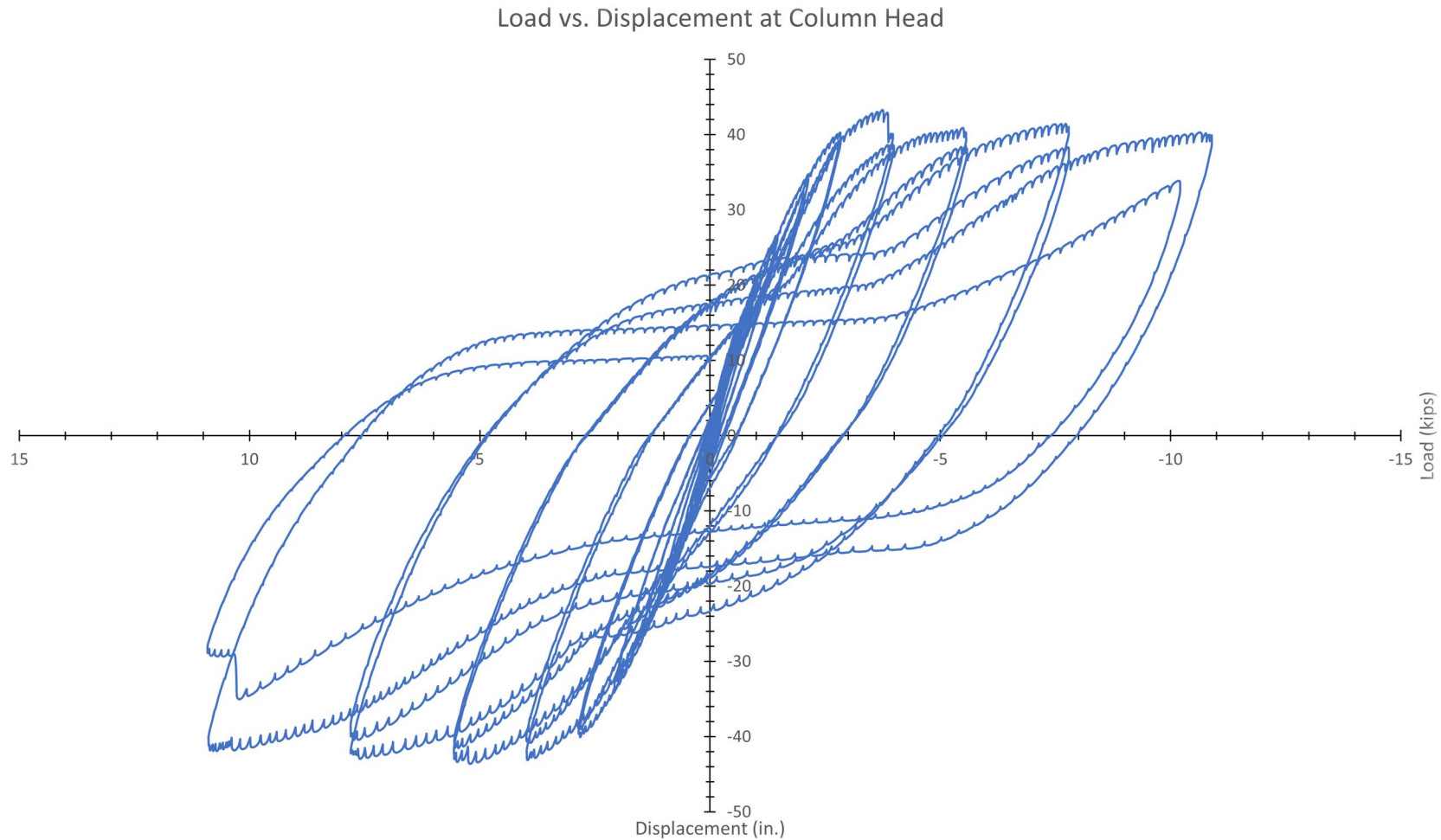
Load vs. Displacement at Column Head



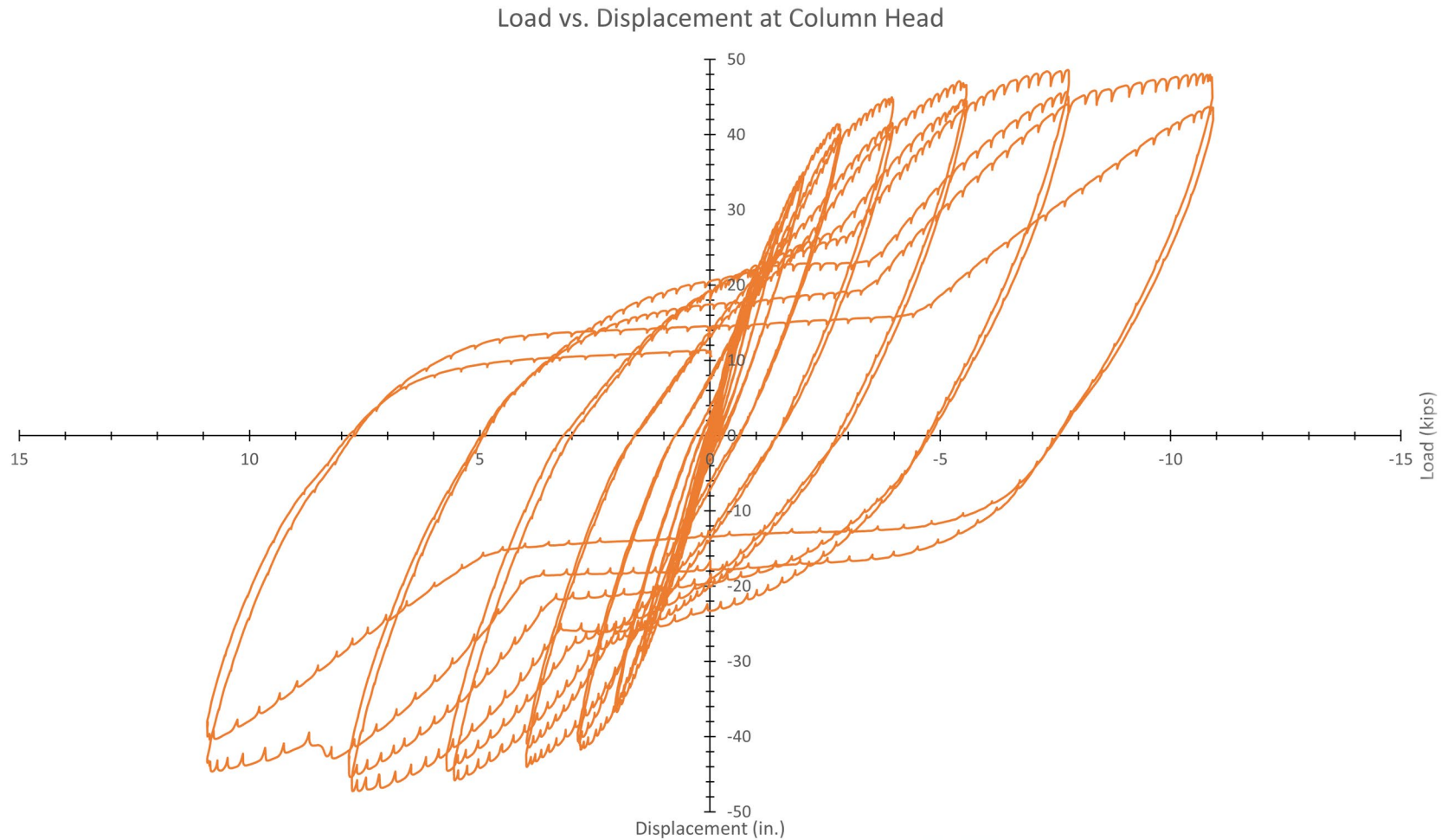
Specimen Testing & Results



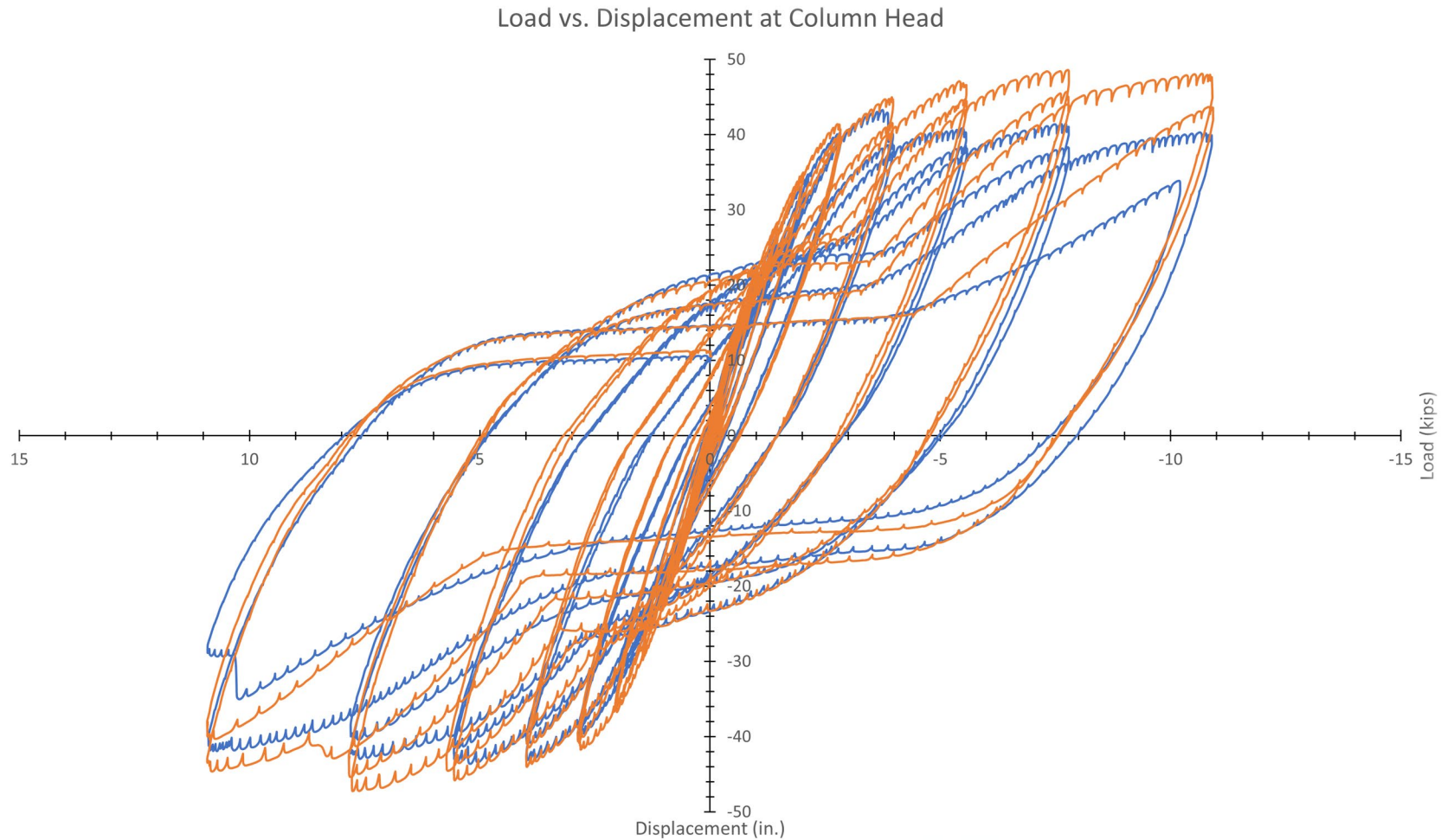
Specimen Testing & Results



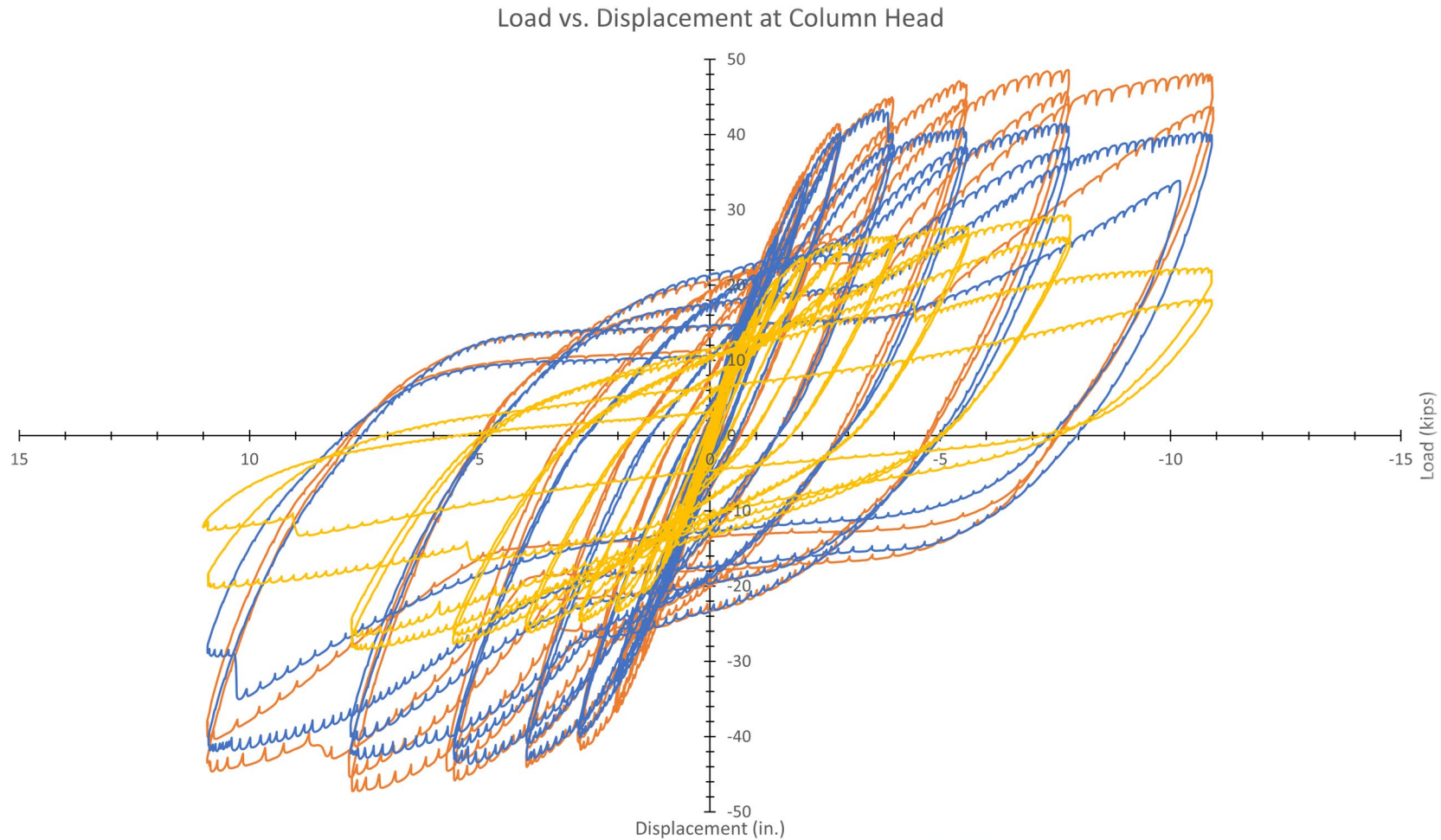
Specimen Testing & Results



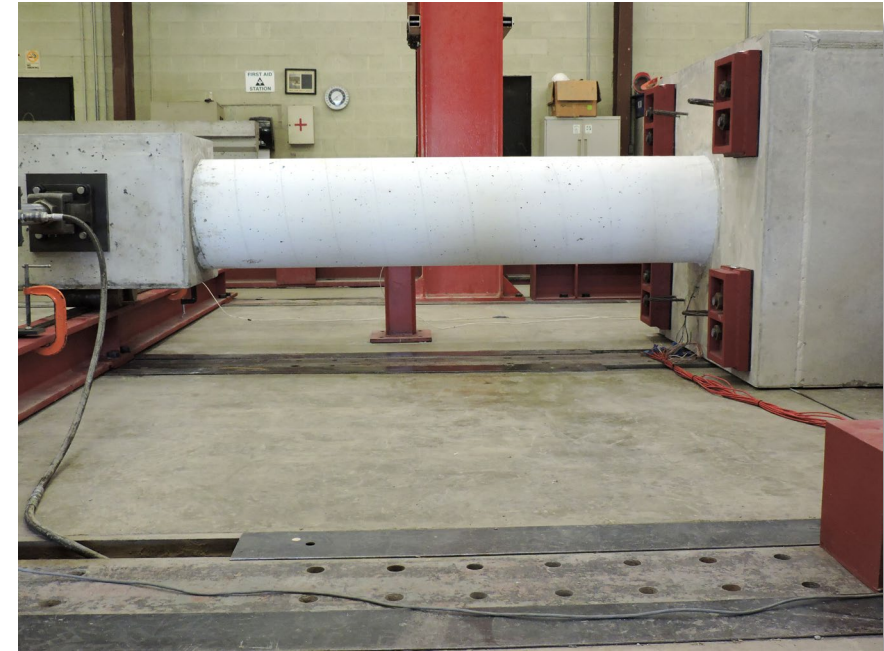
Specimen Testing & Results



Specimen Testing & Results



Specimen Testing & Results



Specimen Testing & Results



Specimen Testing & Results



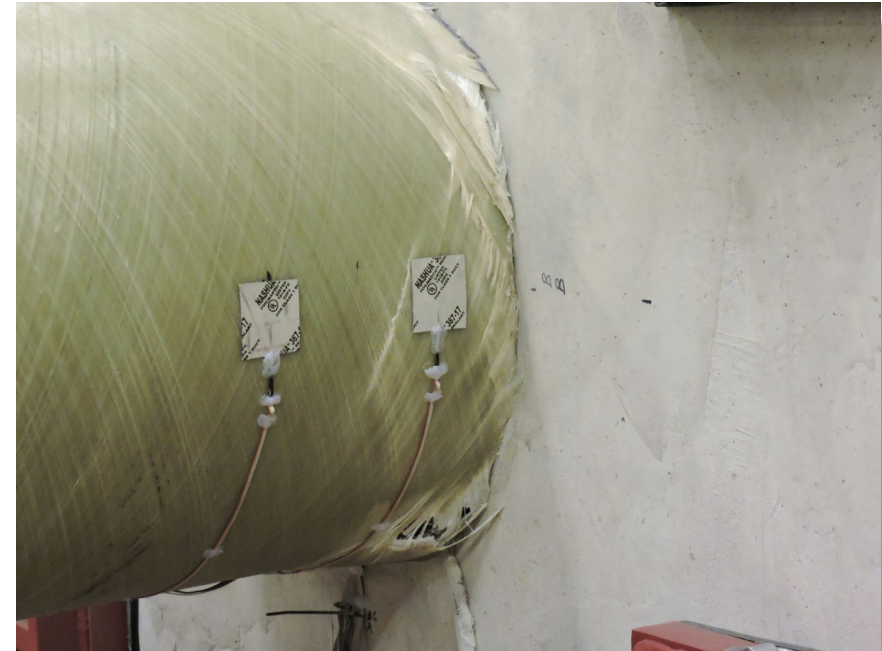
Specimen Testing & Results



Specimen Testing & Results



Specimen Testing & Results



Specimen Testing & Results



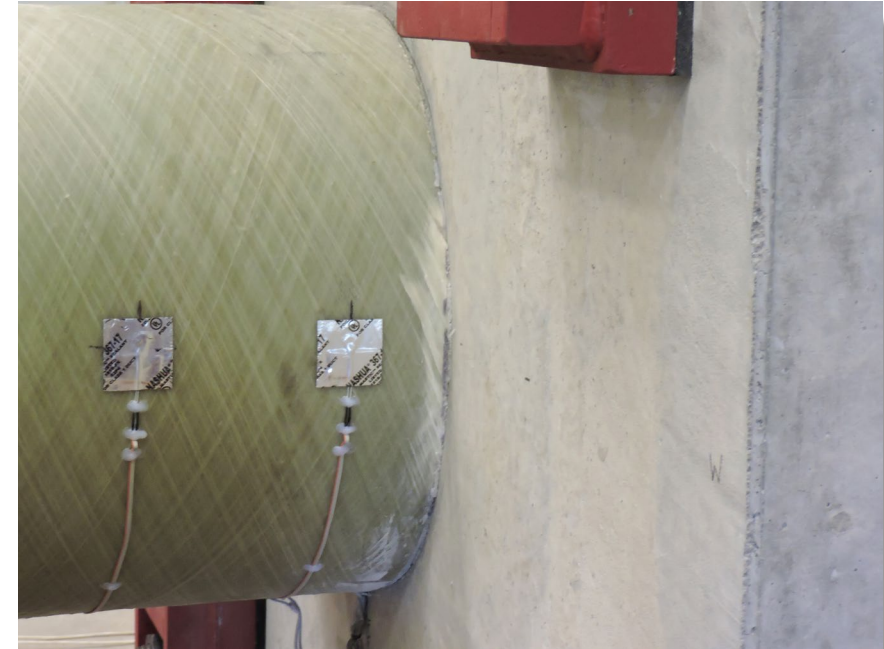
Specimen Testing & Results



Specimen Testing & Results



Specimen Testing & Results



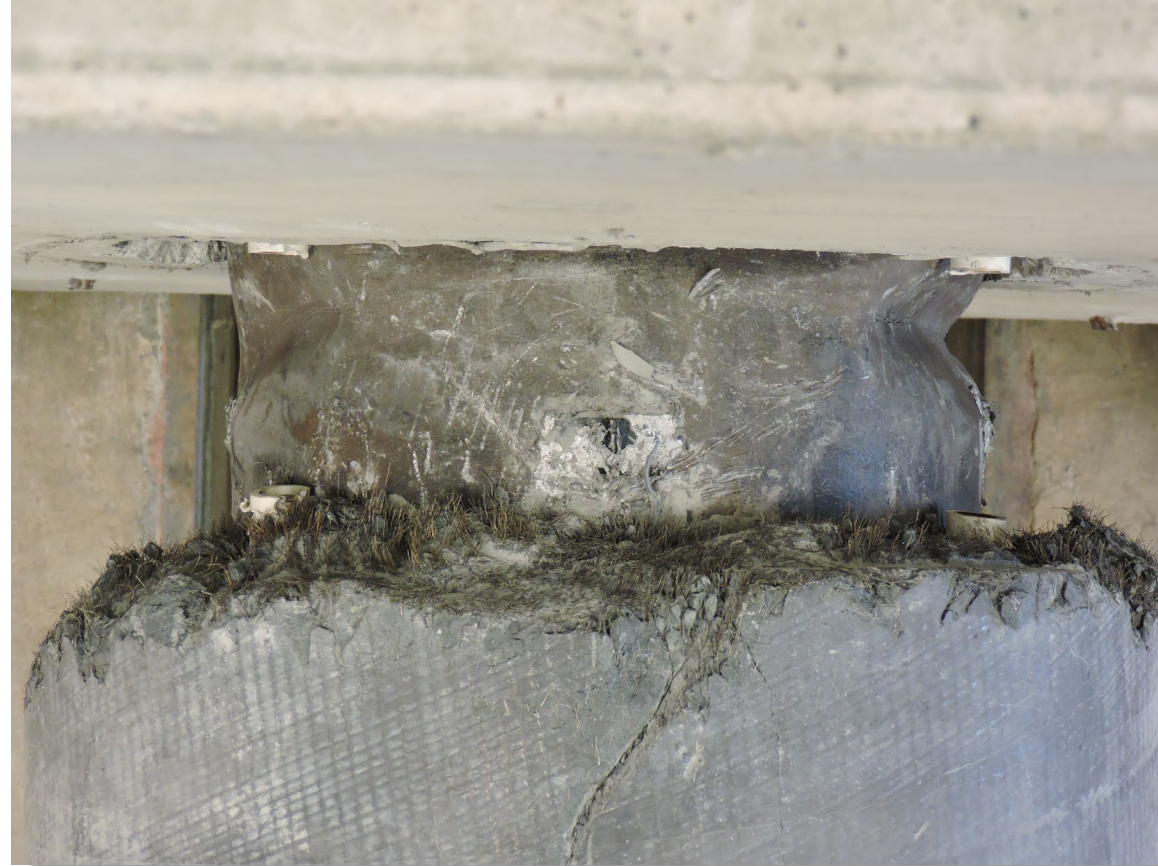
Specimen Testing & Results



Specimen Testing & Results



Specimen Testing & Results



Research Project Next Steps



Thank You



Royce Floyd

Jackson Milner

John Bullock

Omar Yadak

Chris Ramseyer

Scott Harvey

Jacob Choate



Questions?

